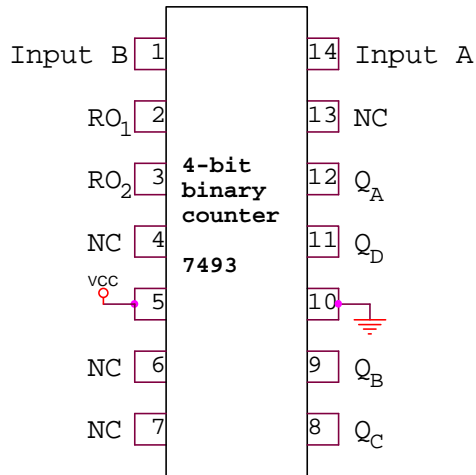
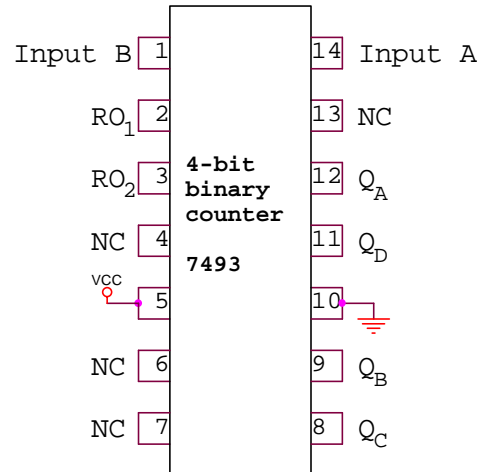


The 7493 TTL 4-bit Binary Counter

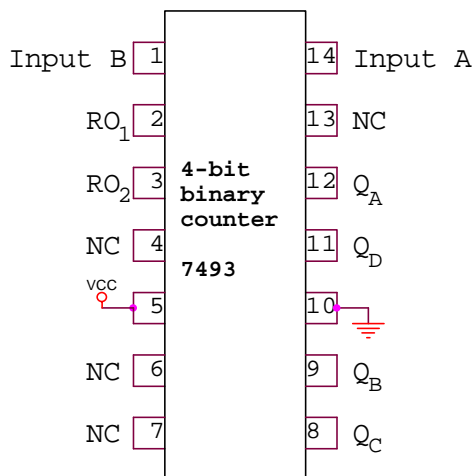
Wired as a Mod-16 Counter



Wired as a Mod-8 Counter



Wired as a Mod-11 Counter



Miscellaneous Notes:

Q_A is always hooked to _____ because it controls the _____ for the 2nd internal JK-FF.

Input A is always hooked to _____

R_0 & R_1 are pins that are hooked to the internal _____ gate.