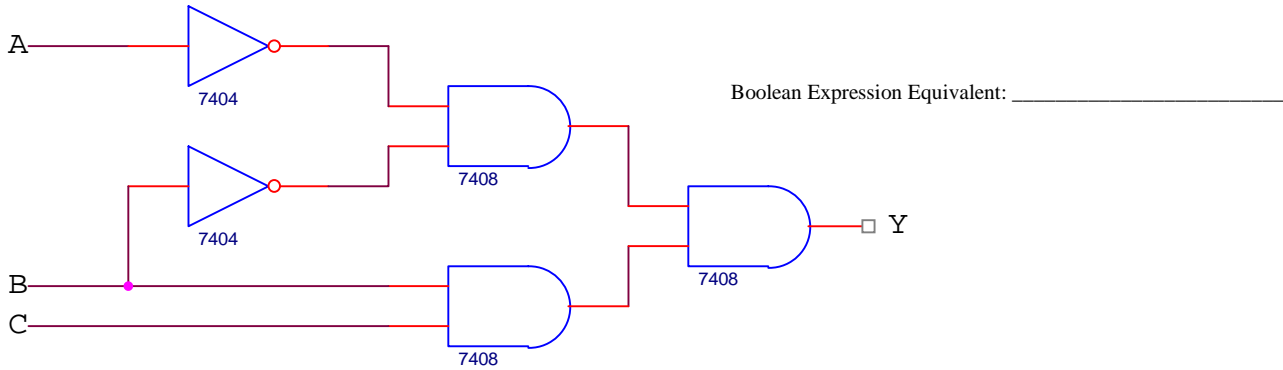
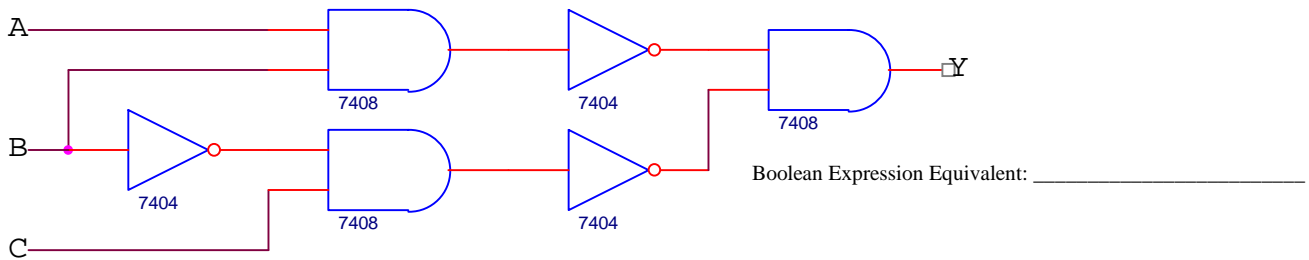


Logic Gates
Homework 1

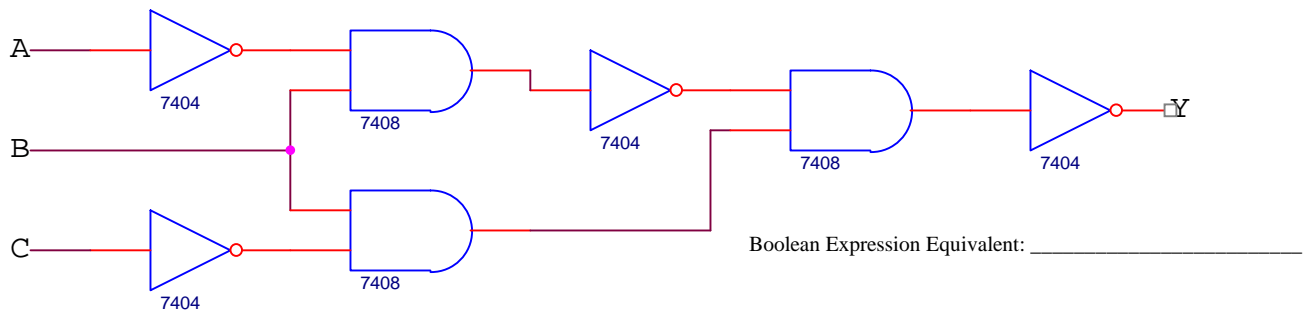
Create the truth table for the following:



A	B	C	
0	0	0	
0	0	1	
0	1	0	
0	1	1	
1	0	0	
1	0	1	
1	1	0	
1	1	1	



A	B	C	
0	0	0	
0	0	1	
0	1	0	
0	1	1	
1	0	0	
1	0	1	
1	1	0	
1	1	1	



A	B	C
0	0	0
0	0	1
0	1	0
0	1	1
1	0	0
1	0	1
1	1	0
1	1	1

Perform the following numeric conversions!

1. $11010011010_2 = \underline{\hspace{2cm}}_{10}$

2. $9AE3_{16} = \underline{\hspace{2cm}}_8$

3. $78F4_{16} = \underline{\hspace{2cm}}_{10}$

4. $8356_{10} = \underline{\hspace{2cm}}_8$