

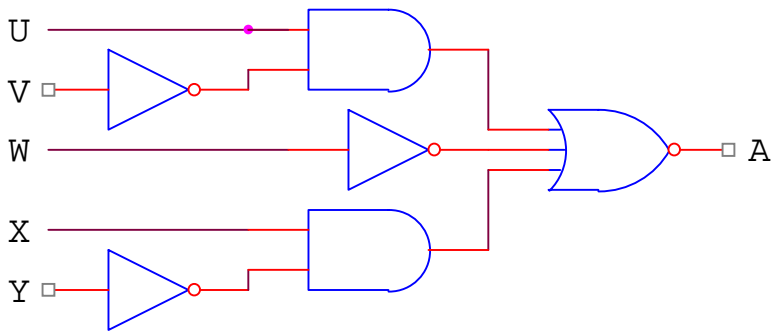
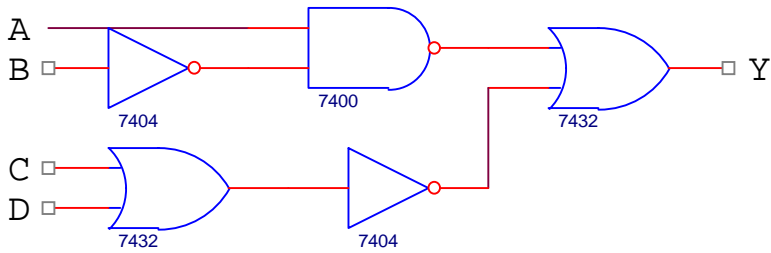
Logic Gates
Homework 2

Draw the logic diagram for the following expressions:

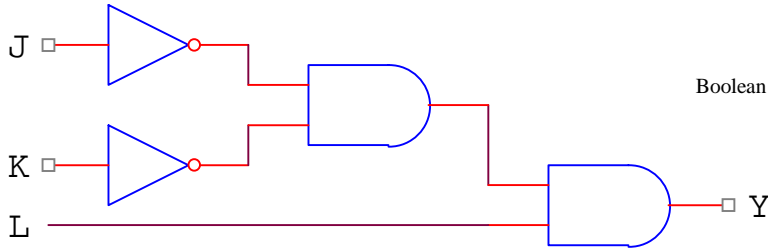
A) $\overline{\overline{AB} + C} = K$

B) $\overline{\overline{W + Y}}(X + \overline{Y}) = L$

Write the boolean expression for the following logic diagrams:



Write the boolean expression and create the truth table for the following logic diagram:



Boolean Expression Equivalent: _____

J	K	L
0	0	0
0	0	1
0	1	0
0	1	1
1	0	0
1	0	1
1	1	0
1	1	1

Perform the following numeric conversions!

1. $F03_{16} = \underline{\hspace{2cm}}_2$

2. $7413_8 = \underline{\hspace{2cm}}_{16}$

3. $1011010111_2 = \underline{\hspace{2cm}}_{10}$

4. $1100011011101_2 = \underline{\hspace{2cm}}_{16}$

5. $5987_{10} = \underline{\hspace{2cm}}_4$

6. $AB73_{14} = \underline{\hspace{2cm}}_{10}$